

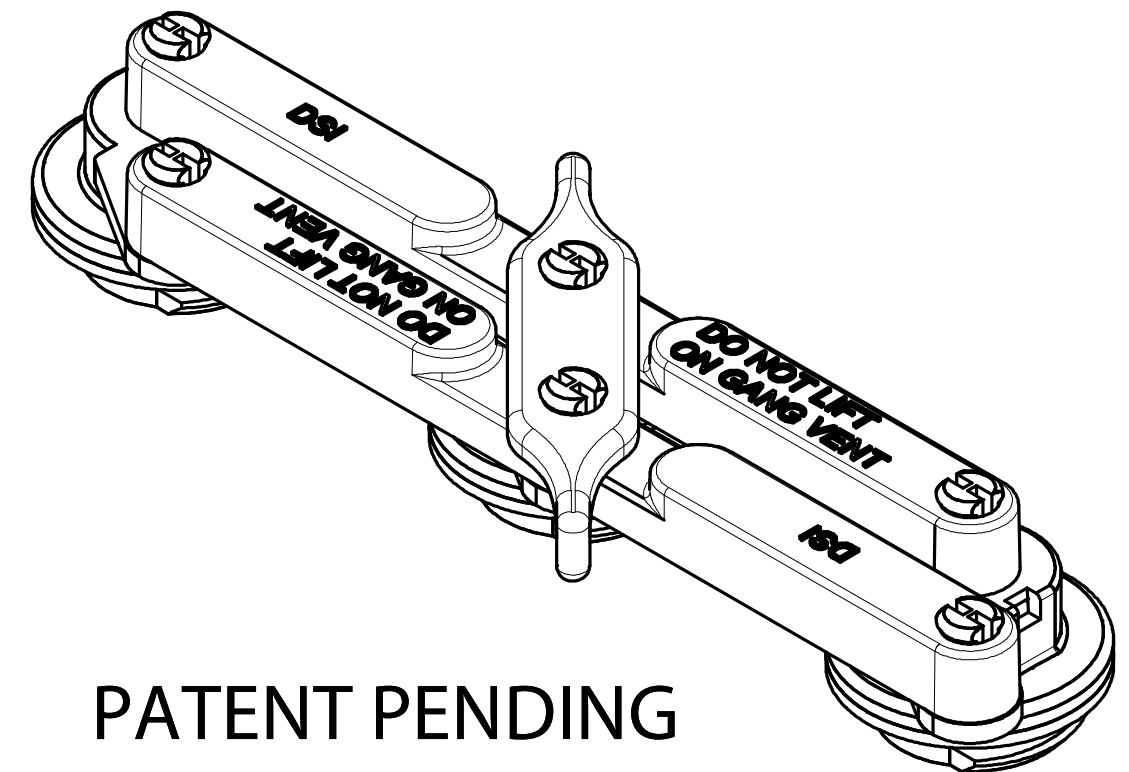
SECTION A-A

FLOW PATH OF BATTERY GASES TO ATMOSPHERE

SPARK ARRESTOR  
FLOW RATE: 15.00-22.90 LPM  
@ 10 INCHES OF WATER

GASKET

BAFFLE DISK



PATENT PENDING

REVISION	DESCRIPTION		BY	DATE
DRAWN	D. WATERS	DATE	5/2/11	
	TOLERANCE UNLESS SPECIFIED			
	.X = +/- .060		.XXX = +/- .010	
	.XX = +/- .030		.XXXX = +/- .005	
CUSTOMER		PART NO.	3-GVCA-1070	PART NAME
				3 Gang Vent Cap Assembly with 1070 Vent Cap
MATERIAL	PP	SHRINKAGE	.020 IN./IN.	JOB #
				2011-07
COLOR	BLACK	UNITS	INCHES	SHT
				11
				OF
				11



**FLOW SYSTEMS**  
a research and  
development company