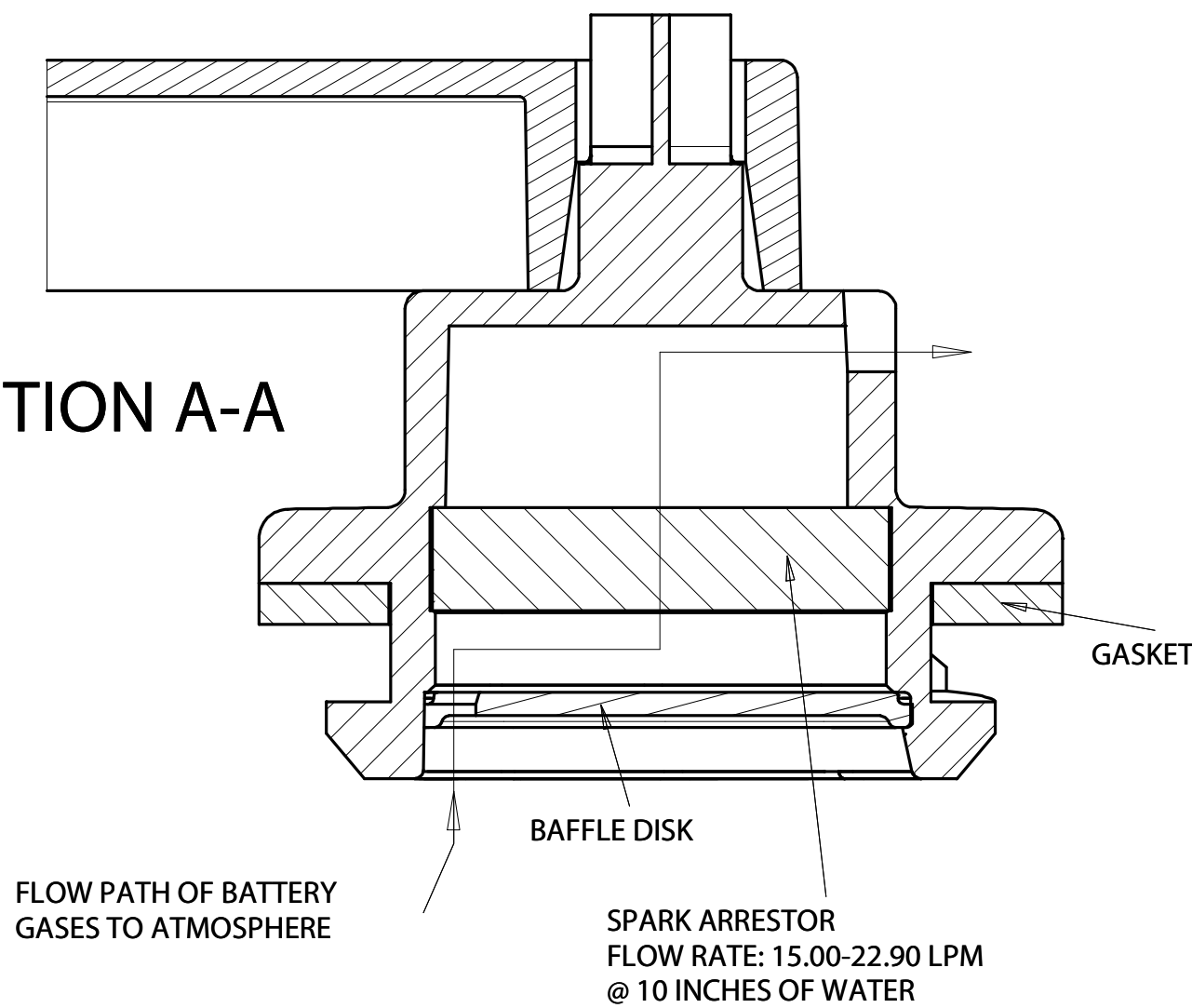


SECTION A-A



REVISION	DESCRIPTION		BY	DATE
DRAWN	D. WATERS	DATE	5/2/11	
TOLERANCE UNLESS SPECIFIED		.X = +/- .060	.XXX = +/- .010	
		.XX = +/- .030	.XXXX = +/- .005	
CUSTOMER	PART NO.	PART NAME		
	4-GVCA-1070	4 Gang Vent Cap Assembly with 1070 Vent Cap		
MATERIAL	SHRINKAGE	JOB #	SHT	
PP	.020 IN./IN.	2011-07	11	
COLOR	UNITS		OF	
BLACK	INCHES		11	

